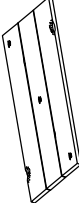

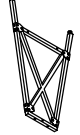
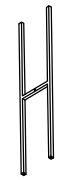
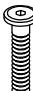





COOPER GATHERING BENCH

Assembly instructions:

PARTS LIST			
No.	DESCRIPTION	IMAGE	QTY
P1	SEAT		1
P2	SUPPORT FRAME		1
P3	LEG FRAMES		2
P4	STRETCHER FRAME		1

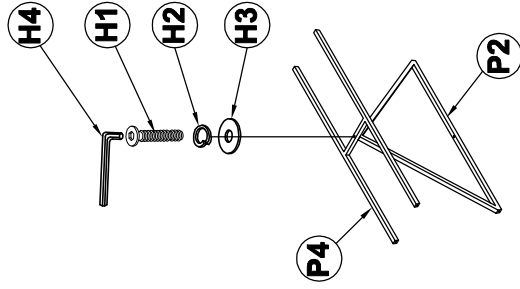
HARDWARE LIST

No.	DESCRIPTION	IMAGE	QTY
H1	BOLT 1/4"X30		12
H2	SPRING WASHER		6
H3	FLAT WASHER		6
H4	ALLEN KEY		1

NOTE: PO# is located underneath/ inside of each item. Please be prepared to provide this # should any claim be necessary.

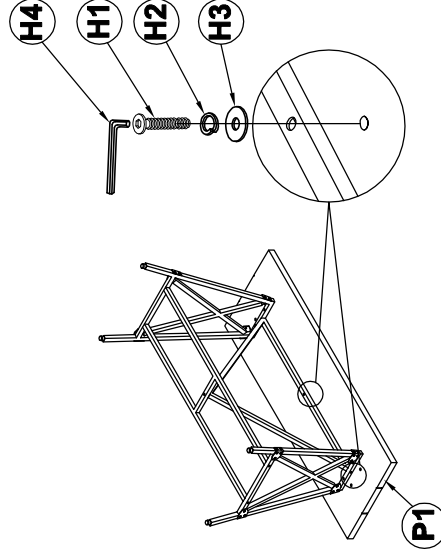
Estimate assembly time : 5.5 minutes

1

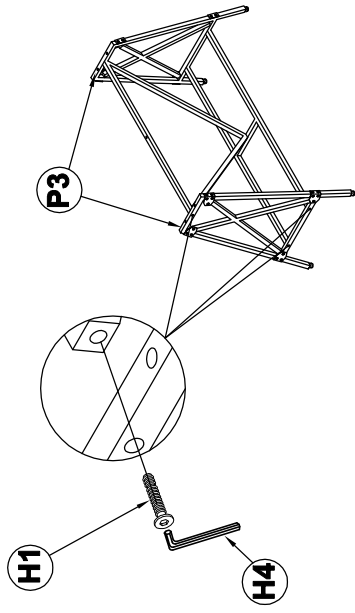


NOTE: DON'T TIGHTEN BOLTS UNTIL INSTALL SEAT

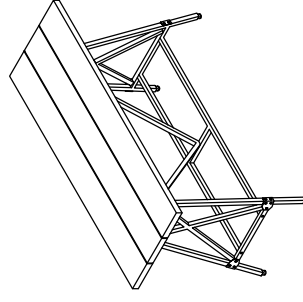
3



2



4



ASSEMBLY COMPLETED