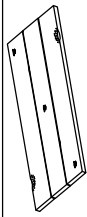




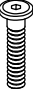


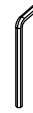
COOPER DINING BENCH

Assembly instructions:

PARTS LIST

| No. | DESCRIPTION | IMAGE | QTY |
|-----|-----------------|---|-----|
| P1 | SEAT |  | 1 |
| P2 | STRETCHER FRAME |  | 1 |
| P3 | LEG FRAMES |  | 2 |

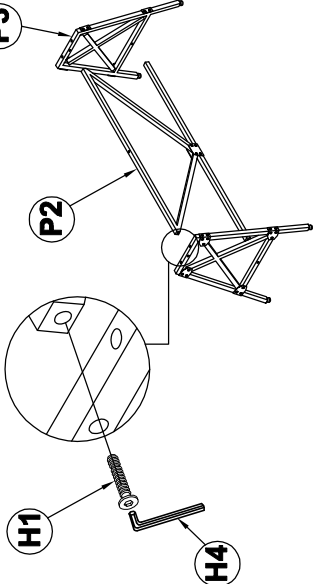
HARDWARE LIST

| No. | DESCRIPTION | IMAGE | QTY |
|-----|---------------|--|-----|
| H1 | BOLT 1/4"X30 |  | 9 |
| H2 | SPRING WASHER |  | 5 |
| H3 | FLAT WASHER |  | 5 |
| H4 | ALLEN KEY |  | 1 |

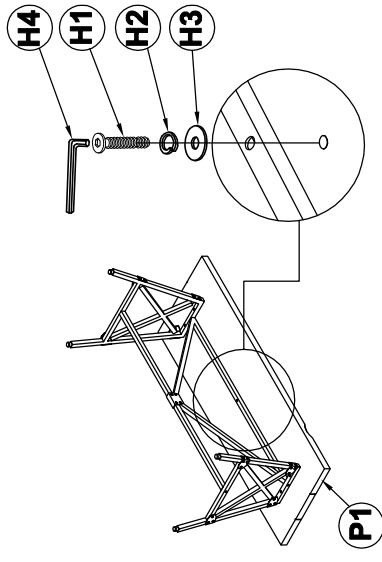
NOTE: PO# is located underneath/ inside of each item. Please be prepared to provide this # should any claim be necessary.

Estimate assembly time : 5 minutes

1

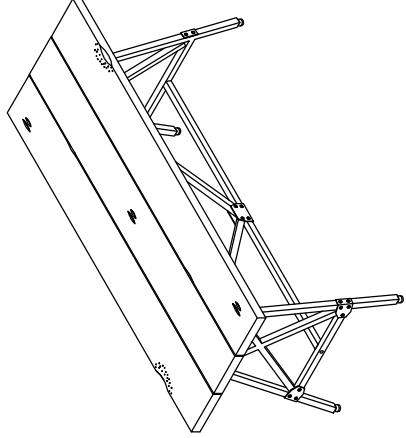


2



NOTE: DON'T TIGHTEN BOLTS UNTIL INSTALL SEAT

3



ASSEMBLY COMPLETED