

BUNDLE ADJUSTABLE HEIGHT SIDE TABLE

Assembly instructions:

PARTS LIST

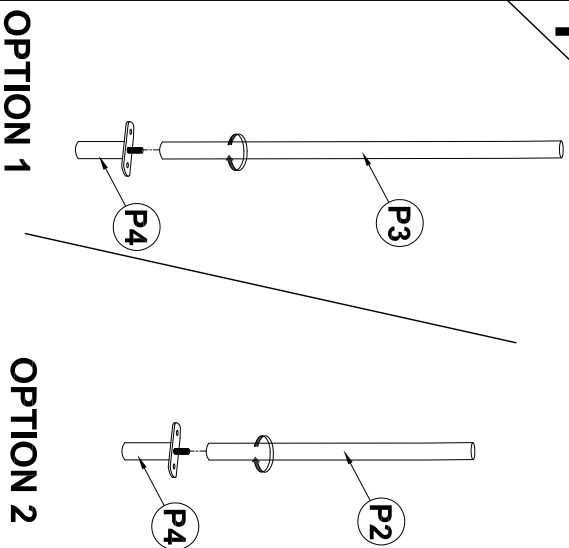
No.	DESCRIPTION	IMAGE	QTY
P1	TABLE TOP (GLASS)		1
P2	SHORT TOP LEGS (METAL)		4
P3	LONG TOP LEGS (METAL)		4
P4	BOTTOM LEGS (METAL)		4
P5	WOOD BOX		1

HARDWARE LIST

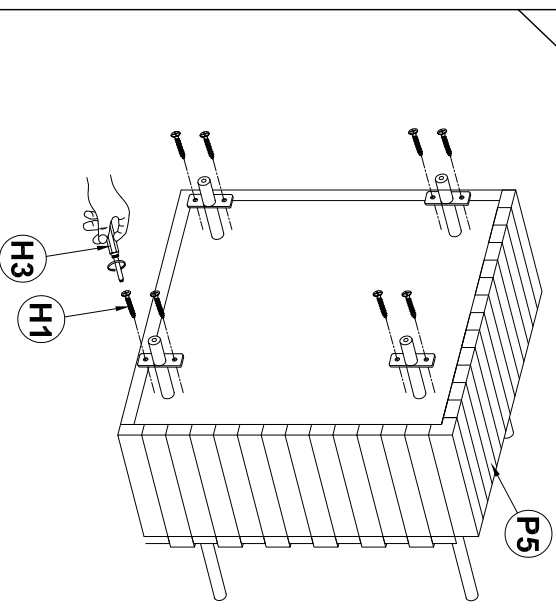
No.	DESCRIPTION	IMAGE	QTY
H1	WOOD SCREW		08
H2	BUMPER		04
H3	SCREW DRIVER		not provide

NOTE: PO# is located underneath/ inside of each item. Please be prepared to provide this # should any claim be necessary.
 Estimate assembly time: 6 minutes

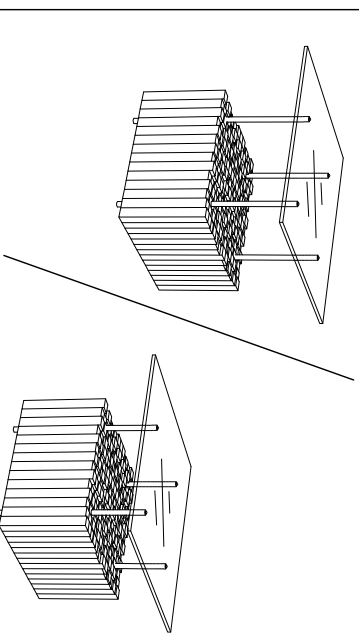
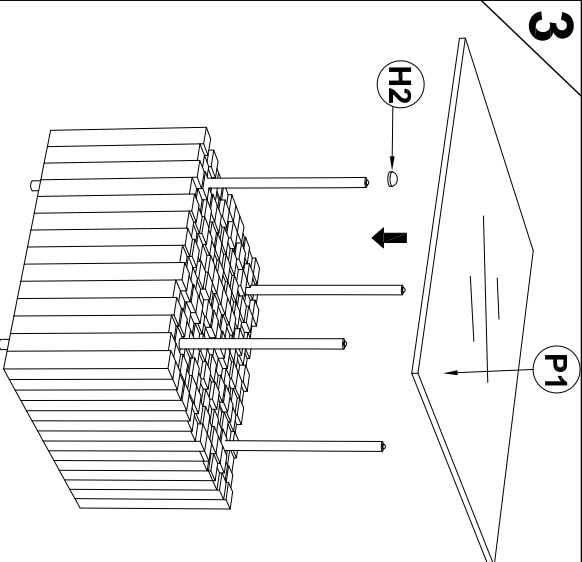
1



2



3



ASSEMBLY COMPLETED