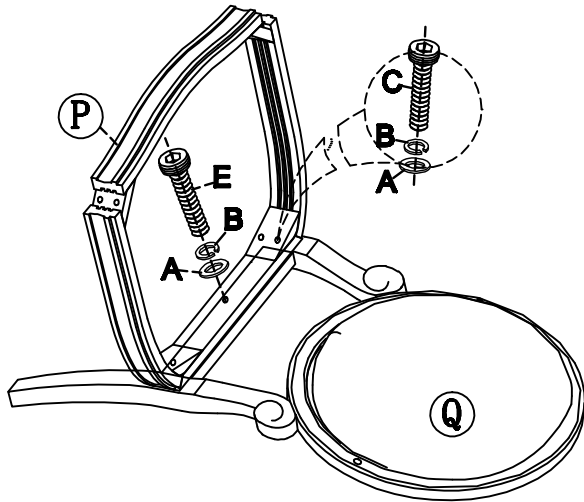


# ASSEMBLY INSTRUCTION

## LOT# KF91027 ARM CHAIR

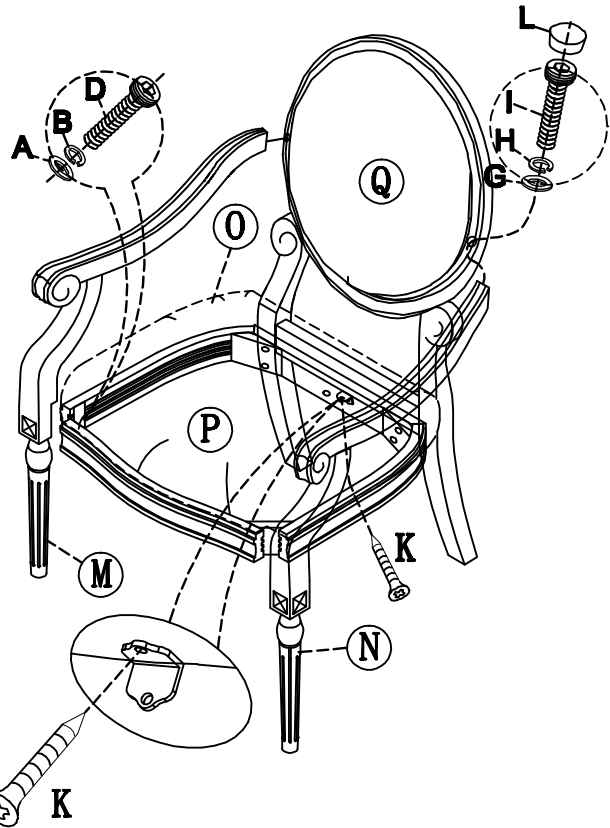
### STEP 2.

Attach seat frame (P) to chair back (Q). Insert flat washer (A) lock washer (B) and bolts (E) through center hole of back rail. Insert flat washer (A) lock washer (B) and bolts (C) through corner block to back leg. Use allen wrench (F) to secure bolts (C,E). Tighten slightly not fully.



### STEP 3.

Place the cushion (O) on the seat frame (P). Caution : Use of incorrect bolts in the section could result in damage to the arm. Attach the arm to the seat frame (P) with flat washer (A) lock washer (B) and bolts (D) using wrench (F). Secure the arm rest to chair back (Q) with flat washer (G) lock washer (H) and bolts (I) using wrench (J).



### STEP 4.

Attach Seat Frame (P) to Cushion (O) using Wood Screw (K). Place chair upright on a level surface & tighten all bolts securely. Insert the plug (L) to the hole of chair back.

**Warnings :** Failure to observe these warnings can result in serious injury and/or product damage:

- \* Never stand on the chair.
- \* Never use the chair as a ladder.
- \* Do not tip the chair when seated.
- \* Periodically re-tighten all bolts.
- \* Do not exceed 250lbs. (113.4kgs) weight limit on the chair.