

BUNDLE CONSOLE TABLE

Assembly instructions:

PARTS LIST

No.	DESCRIPTION	IMAGE	QTY
P1	GLASS TOP		1
P2	FRONT LEGS (METAL)		2
P3	BACK LEGS (METAL)		2
P4	WOOD BOX		1

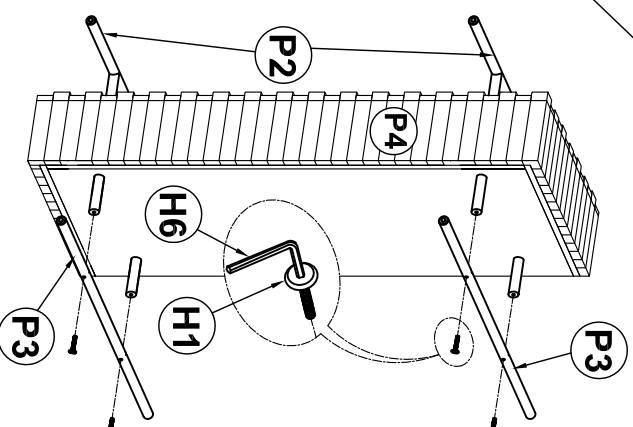
HARDWARE LIST

No.	DESCRIPTION	IMAGE	QTY
H1	LONG BOLT		04
H2	SHORT BOLT		02
H3	WOOD SCREW		02
H4	"L" CORNER		02
H5	BUMPER		04
H6	ALLEN KEY		
H7	SCREW DRIVER		not provide

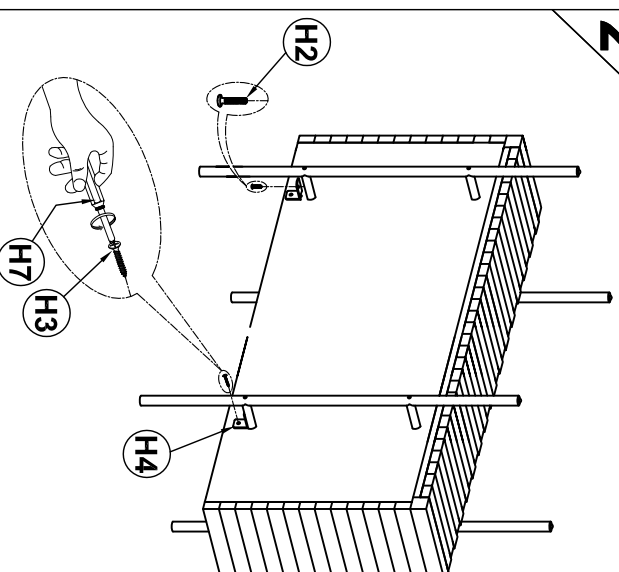
NOTE: PO# is located underneath/ inside of each item. Please be prepared to provide this # should any claim be necessary.
CAUTION: Item is heavy assembly should be performed by two people.

Estimate assembly time : 7 minutes

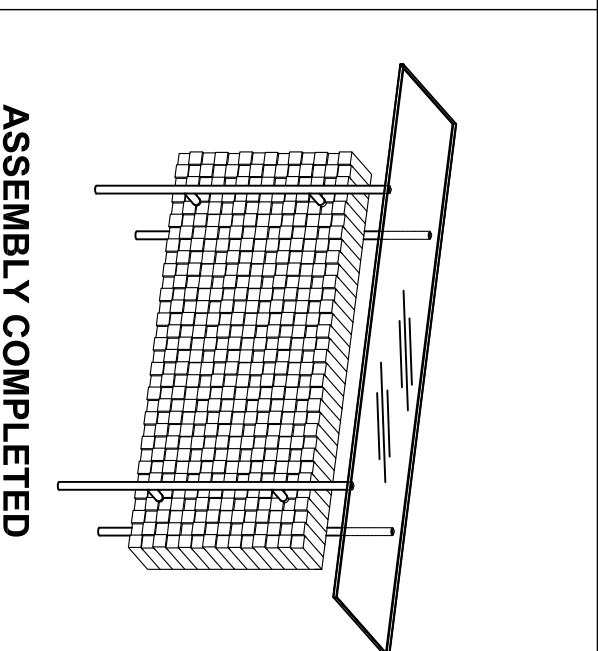
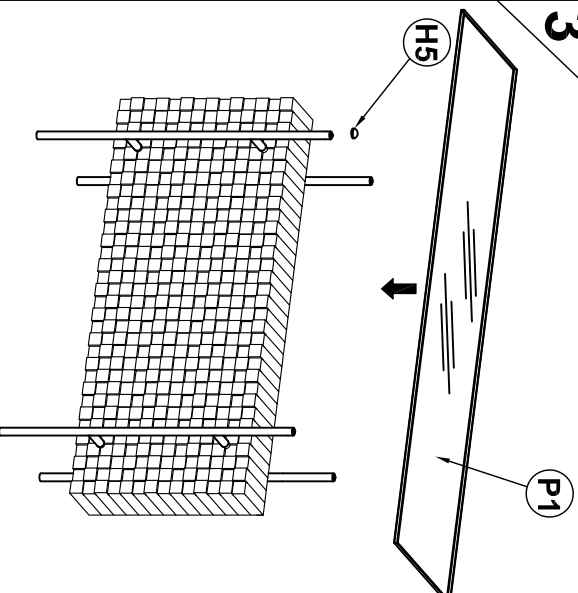
1



2



3



ASSEMBLY COMPLETED