





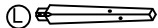


ASSEMBLY INSTRUCTIONS

Description: Counter Stool








Important safety instructions:

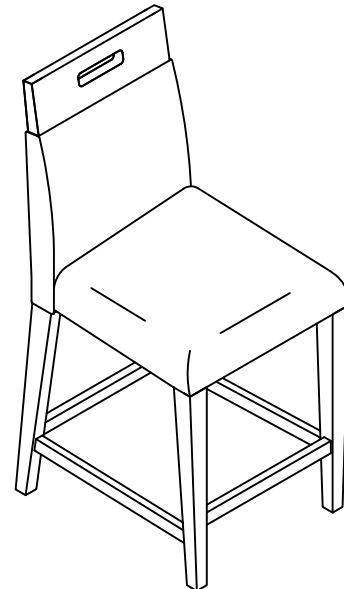
- Please carefully read all instructions before assembling the chair.
- For your safety and ease, assembly by two or more adults is recommended.
- Keep instructions for future use.
- Do not discard any contents until after assembly is complete to avoid accidentally discarding small parts or hardware.
- Remove all parts and hardware from box along with any plastic protective packaging.

Parts List

Item	Description	Drawing	QTY	Item	Description	Drawing	QTY
A	Chair Back		1	E	Front Stretcher		1
B	Seat Cushion		1	F	Right Stretcher		1
C	Right Leg		1	G	Left Stretcher		1
D	Left Leg		1				

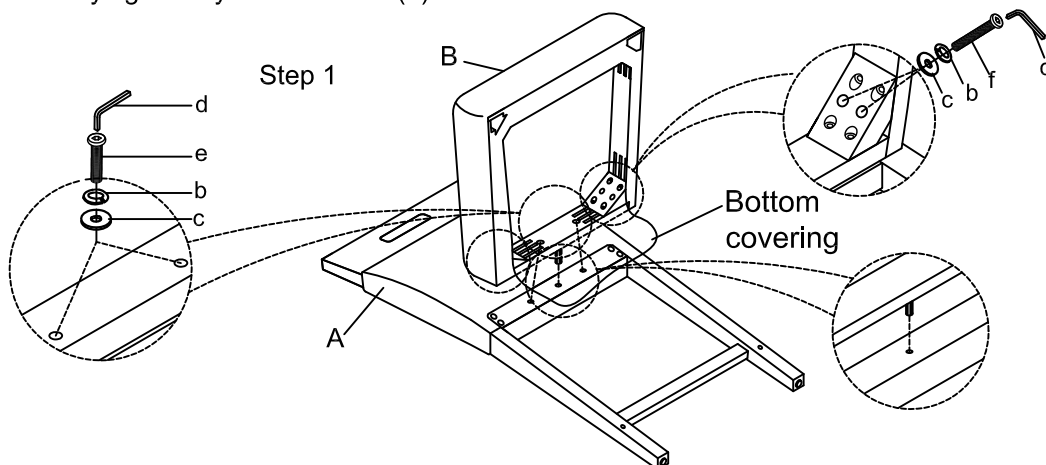
Hardware List

Item	Description	Drawing	QTY
a	Middle Bolt Ø5/16"x2 1/4"		4
b	Spring Washer Ø5/16"		10
c	Flat Washer Ø5/16"		10
d	Allen Wrench 5mm		1
e	Short Bolt Ø5/16"x1-3/4"		2
f	Long Bolt Ø5/16"x3-1/4"		4
g	Screw 1-1/2"		6



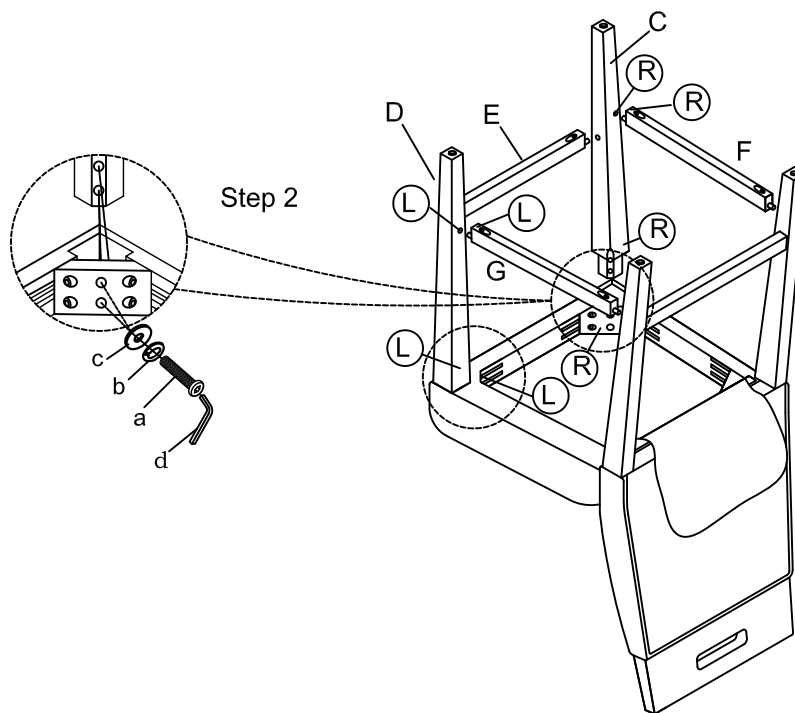
Assembly Procedures:

- Step 1. Assemble the chair on a flat, soft surface such as a carpet or cloth to prevent scratching the finish.
- 1) Unzip the bottom covering.
 - 2) Place the seat cushion (B) on the chair back (A) aligning the assembled dowel on the back of seat cushion (B) with the hole on the chair back (A).
 - 3) Attach the chair back (A) to the frame of seat cushion (B) using short bolt (e), long bolt (f), spring washer (b) and flat washer (c). Loosely tighten by Allen wrench (d).



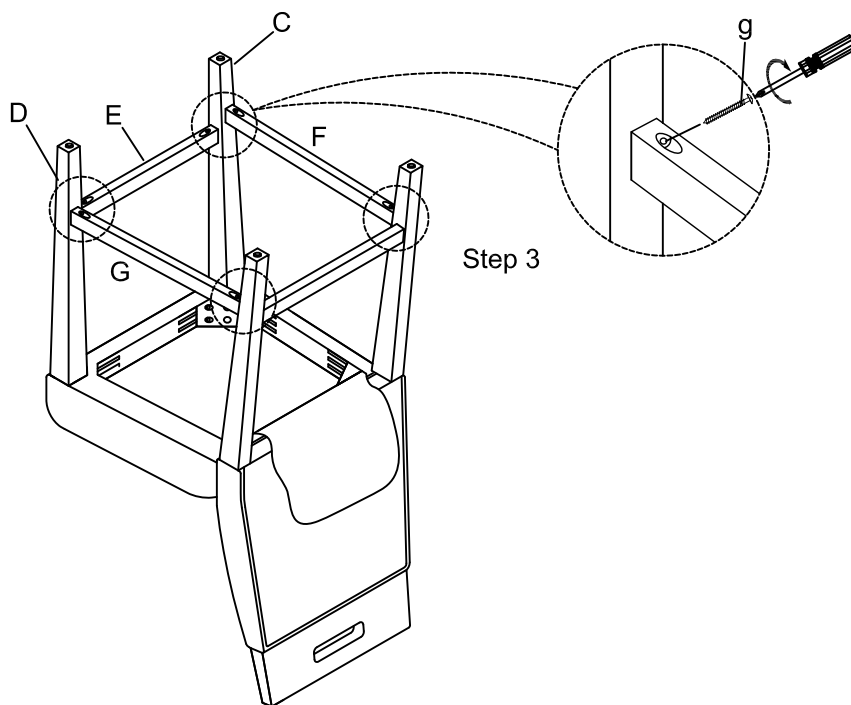
Step 2. 1) Insert the front leg (C) and (D) to the bottom of seat cushion (B) according to the label "L" & "R" on the corner block of seat cushion and the front legs top. Loosely attach the front leg (C) & (D) to the seat cushion (B) using middle bolt (a), lock washer(b) and flat washer(c).

2) Insert the stretchers (E) & (F) & (G) to the front legs (C) & (D) and chair back legs according to the label "L" and "R" at the holes in the legs and the front end of stretchers (G) & (F) . Do not tighten the screws at this time.



Step 3. 1) Securely tighten all bolts, but do not over tighten the bolts. Tighten by Allen wrench(d)

2) Tighten screw (g) through the stretcher (E) & (F) & (G) to the leg (C)& (D) and chair back legs.



Step 4. Failure to follow these instructions may cause the bolts to misalign during assembly.

ADDITIONAL NOTE ABOUT SAFETY: BOLTS MAY LOOSEN DURING NORMAL EVERYDAY USE. THEY SHOULD BE PERIODICALLY INSPECTED AND RE-TIGHTENED TO PREVENT DAMAGE OR INJURY. ALWAYS CHECK TO BE SURE THAT ALL HARDWARE IS KEPT TIGHTENED.

Thank you for you purchase