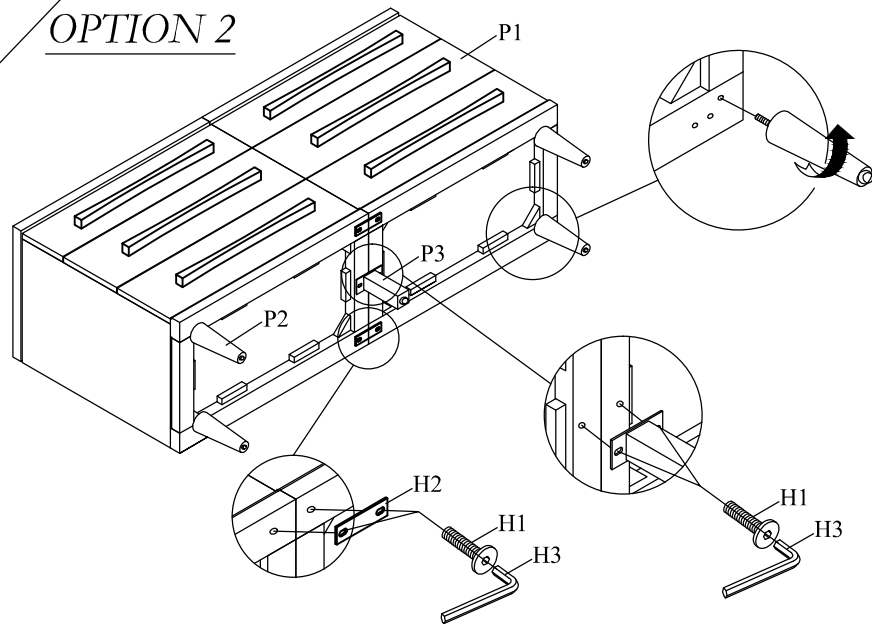


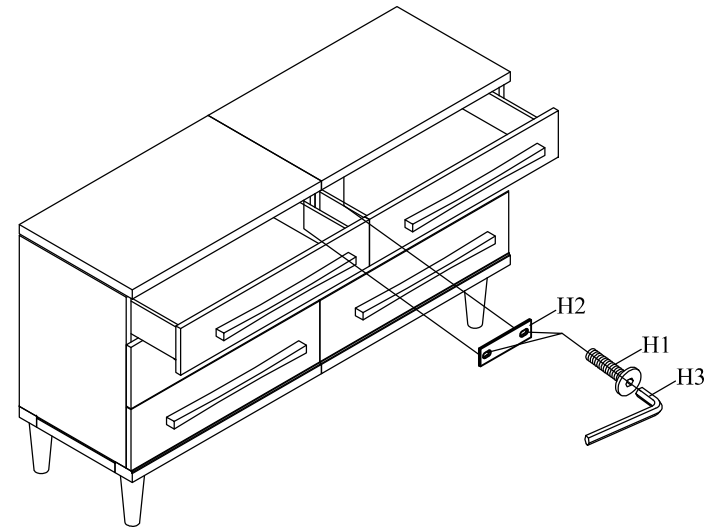
# WYNN DRESSER

Assembly instructions:

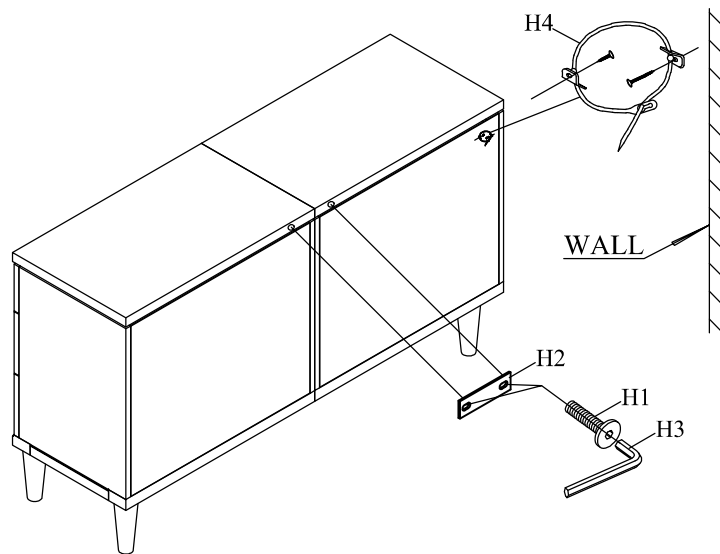
OPTION 2



6



7



8

