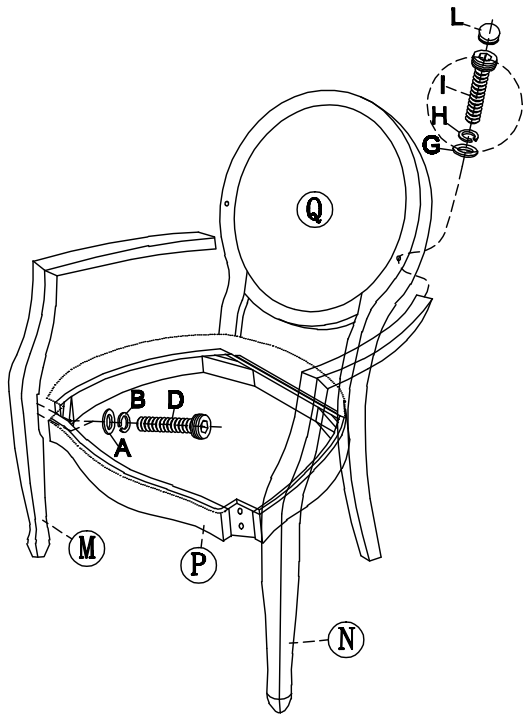


ASSEMBLY INSTRUCTION

LOT#98054 OVAL BACK ARM CHAIR

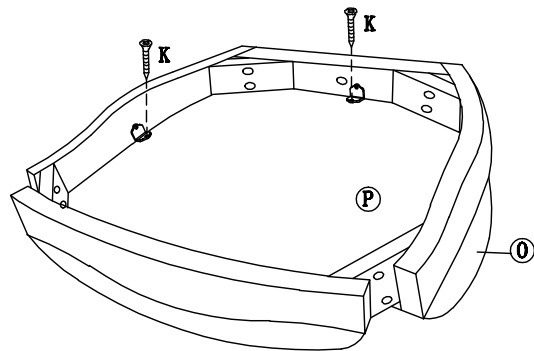
STEP 3.

Caution : Use of incorrect bolts in the section could result in damage to the arm. Attach the arm to the seat frame (P) with flat washer (A) lock washer (B) and bolts (D) using wrench (F). Secure the arm rest to chair back (Q) with flat washer (G) lock washer (H) and bolts (I) using wrench (J). Place chair upright on a level surface & tighten all bolts securely. Insert the plug (L) to the hole of chair back.



STEP 4.

Remove all parts from carton and separate them into part number groups as indicated on the part list. Place the Cushion (O) on a smooth surface. Attach Seat Frame (P) to Cushion (O) using Wood Screw (K).



Warnings : Failure to observe these warnings can result in serious injury and/or product damage:

- * Never stand on the chair.
- * Never use the chair as a ladder.
- * Do not tip the chair when seated.
- * Periodically re-tighten all bolts.
- * Do not exceed 250lbs. (113.4kgs) weight limit on the chair.