

ASSEMBLY INSTRUCTIONS

Description: Chandelier

Important Safety Instructions:

- For safety purposes, this lamp is equipped with a polarized plug (one blade is wider than the other). If the plug does not fit securely into your outlet, do not force it, contact a professional electrician. Use the plug with an extension cord only if it can be fully inserted into cord's socket. Never alter the plug in any way.
- These instructions are provided for your safety. It is important that they are read carefully and completely before assembling fixture.
- This fixture has been rated for up to (3) 100-watt maximum TYPE A bulb (no included) or (3) 23-watt compact fluorescent light bulb (no included). To avoid the risk of fire, do not exceed the recommended wattage.

Pre-assembly:

- Do not discard any contents until after assembly is complete to avoid accidentally discarding small parts or hardware.
- Remove all parts and hardware from box along with any plastic protective packaging.

Parts Enclosed:

Item	Description	QTY
A	Mounting plate	1
B	Canopy	1
C	Shade 1	1
D	Shade 2	1
E	Shade 3	1
F	Panel	3

To install you will need:
Screwdriver
Electrical tape

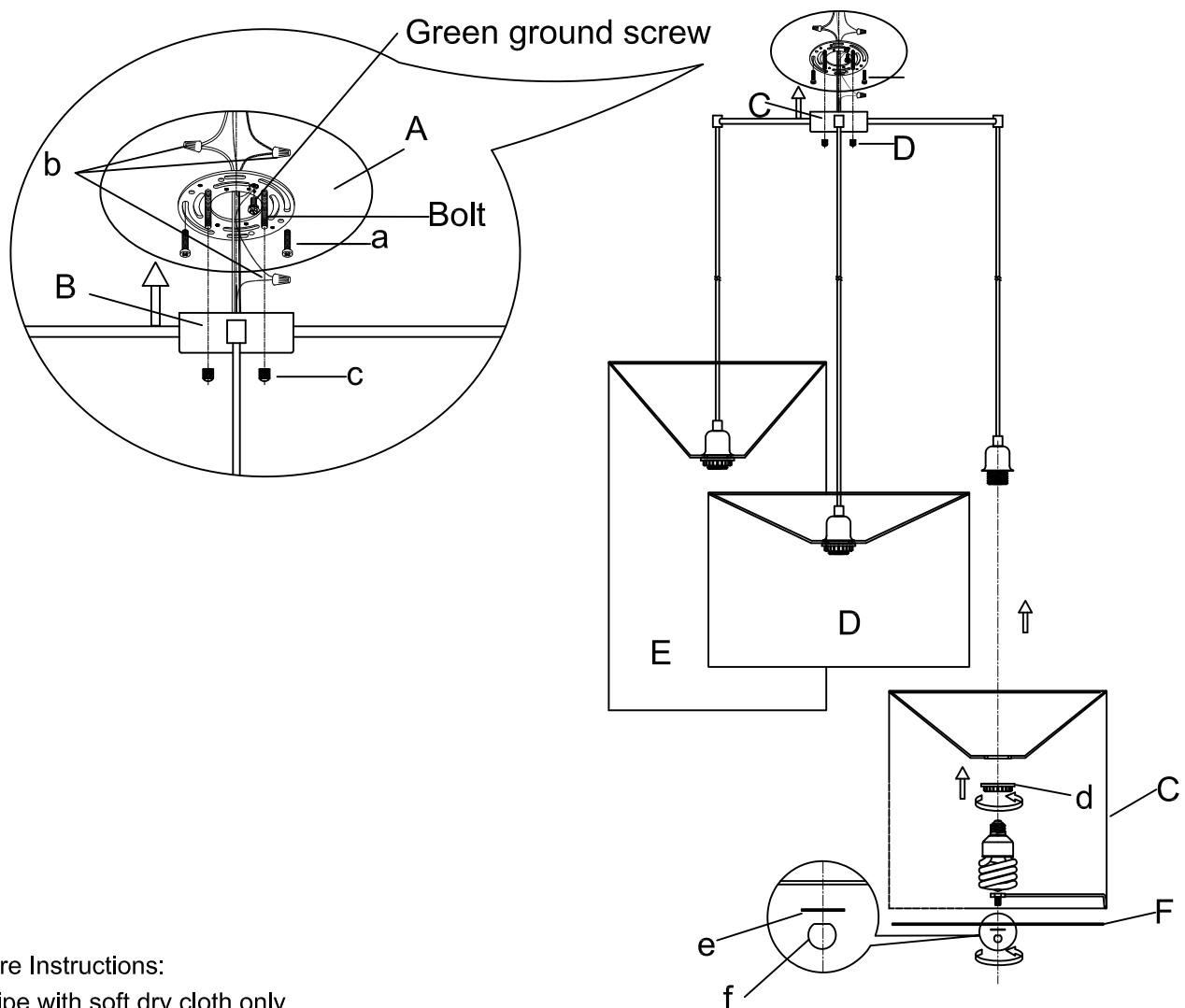
Hardware included:

Item	Description	QTY
a	Mounting plate screws	2
b	Plastic wire connectors	3
c	Small Finials	2
d	Plastic rings	3
e	Flat washers	3
f	Round Finials	3

To Assemble:

- Step 1. Shut off the main electrical supply from the main fuse box/circuit breaker!
- Step 2. Determine the desired hanging height of shades by adjusting the cord lengths. Push or pull the wire through the top tubes and set the correct length by moving the 2 hole plastic clips on each wire so they will prevent the wires from moving further. Leave approx 8" slack on each wire to make connections to home wiring and cut off the excess.
- Step 3. Gently pull wiring from ceiling outlet box and allow the wires to hang.

- Step 4. It is imperative that the outlet box in your home be properly grounded. If your outlet does not have a GROUND WIRE, be sure to insert the green ground screw on the mounting plate (A) facing DOWN, and wrap the fixture's bare copper ground wire around the green ground screw on the mounting plate. If your outlet box has a GROUND WIRE (green or bare wire) attach this wire to the bare copper GROUND WIRE of the fixture. Fasten with a plastic wire connector and wrap with electrical tape. Carefully inspect the lantern's two fixture wires. One has very fine ridges molded into the plastic covering - this is the NEUTRAL WIRE. The second wire's covering is smooth - this is the HOT WIRE. Connect the NEUTRAL WIRE from the fixture to the NEUTRAL JUNCTION BOX WIRE from the outlet ox (usually white). Fasten each together with a plastic wire connector and wrap the connection with electrical tape. Be sure that no wire strands are exposed. Connect the HOT WIRE from the fixture to the HOT JUNCTION BOX WIRE from the outlet box (usually black). Fasten each together with a plastic wire connector (b) and wrap the connection with the electrical tape. Be sure that no wire strands are exposed. **DO NOT REVERSE THE HOT AND NEUTRAL CONNECTIONS OTHERWISE SAFETY WILL BE COMPROMISED.**
- Step 5. Tuck the wire connections neatly into the ceiling outlet box.
- Step 6. Attach the mounting plate (A) to the ceiling outlet box (the long bolts will be hanging down) using two mounting plate screws(a). Tighten with screwdriver.
- Step 7. Attach the canopy (B) to the long bolts hanging down from the mounting plate(A) and secure with small finials (c).
- Step 8. Attach shades 1 (C), 2 (D), and 3 (E) to sockets and tighten with plastic rings (d).
- Step 9. Insert light bulbs (not included) into sockets.
- Step 10. Attach the bottom panels (F) to each shade (C, D, E), tighten with flat washer (e) and round finials (f).
- Step 11. Restore power to outlet box and test fixture.
- Step 12. Assembly is complete.



● Care Instructions:

Wipe with soft dry cloth only

Always avoid the use harsh chemicals or abrasives as they may damage the finish

Thank you for you purchase