

COSMO E.KING /CAL KING BEDS

Assembly instructions:

PART LISTS

| NO. | DESCRIPTION | IMAGE | Q'TY |
|-----|--------------------|-------|------|
| P1 | HB UPH PANEL | | 1PC |
| P2 | HB STRETCHER PANEL | | 1PC |
| P3 | LEGS | | 4PCS |
| P4 | FB | | 1PC |
| P5 | SIDE RAILS | | 1SET |
| P6 | CENTER SLAT | | 1PC |
| P7 | SLATS | | 1SET |
| P8 | CENTER LEG | | 2PCS |
| P9 | BACK SUPPORT BAR | | 4PCS |

HARDWARE LISTS

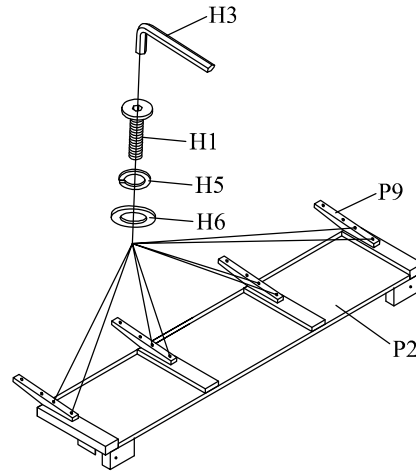
| NO. | DESCRIPTION | IMAGE | Q'TY |
|-----|---------------------|-------|-------------|
| H1 | BOLT 5/16" X35 mm | | 16PCS |
| H2 | WOOD DOWEL | | 2PCS |
| H3 | ALLEN KEY 5mm | | 1PC |
| H4 | BOLT 5/16" X19 mm | | 8PCS |
| H5 | SPRING WASHER 5/16" | | 24PCS |
| H6 | FLAT WASHER 5/16" | | 24PCS |
| H7 | SCREW | | 8PCS |
| H8 | PHILIP SCREW | | NOT PROVIDE |

NOTE: PO# is located underneath/ inside of each item. Please be prepared to provide this # should any claim be necessary.

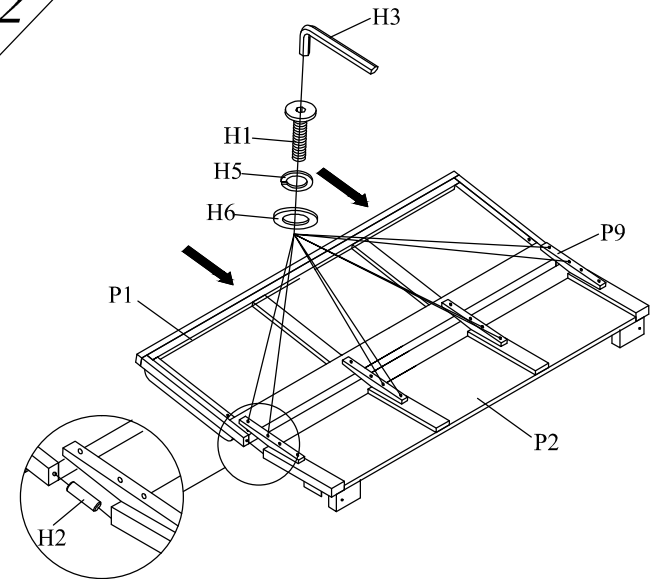
CAUTION: Item is heavy assembly should be performed by two people.

Estimate assenbly time:9 minutes

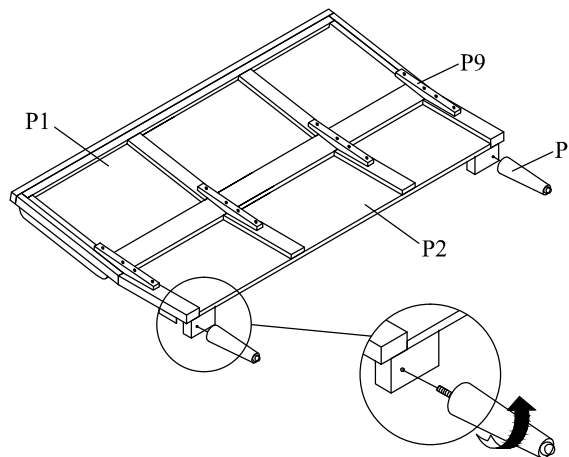
1



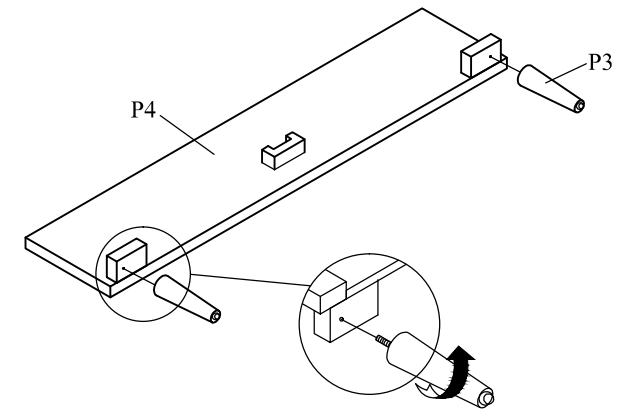
2



3



4



ASSEMBLY COMPLETED