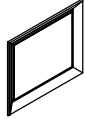



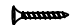

# WYNN/COSMO MIRROR

*Assembly instructions:*

**PART LISTS**

NO.	DESCRIPTION	IMAGE	Q'TY
P1	MIRROR		1PC
P2	WALL HANGER BAR		1PC

**HARDWARE LISTS**

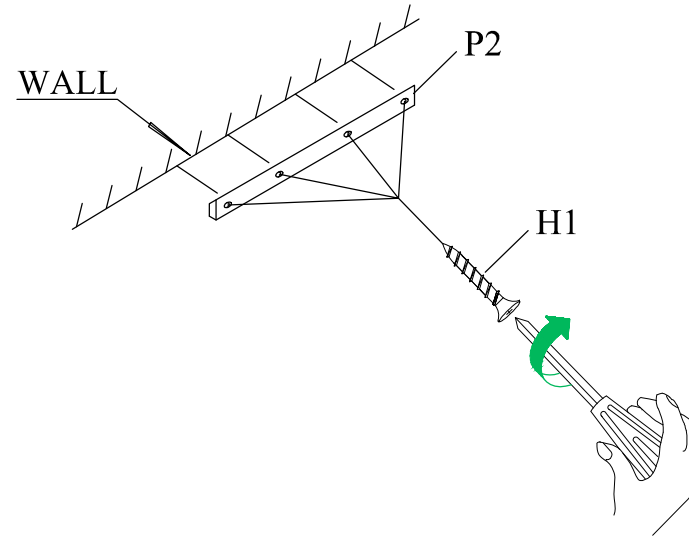
NO.	DESCRIPTION	IMAGE	Q'TY
H1	SCREW M4 X 35mm		4PCS
H2	PHILIP SCREW		NOT PROVIDE

*NOTE:* PO# is located underneath/ inside of each item. Please be prepared to provide this # should any claim be necessary.

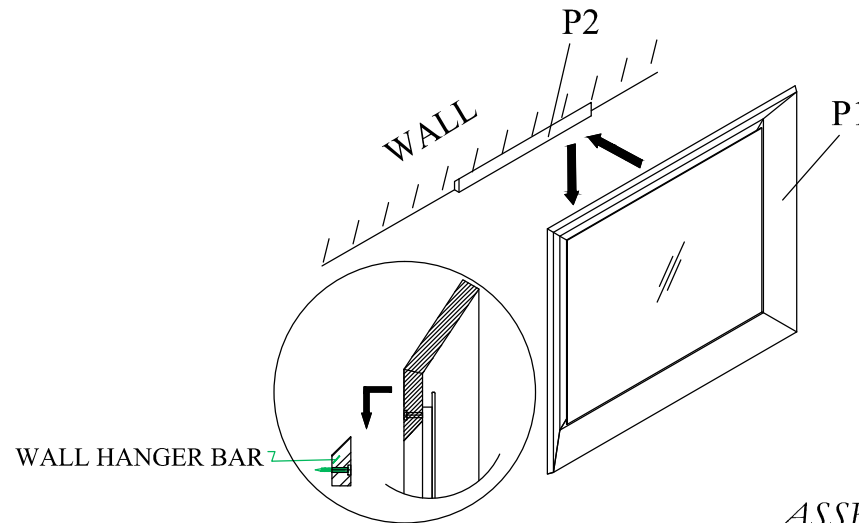
*CAUTION:* Item is heavy assembly should be performed by two people.

Estimate assenbly time:2 minutes

1



2



*ASSEMBLY COMPLETED*