

ASSEMBLY INSTRUCTIONS

Description: Side Chair




Important safety instructions:

- Please carefully read all instructions before assembling the chair.
- For your safety and ease, assembly by two or more adults is recommended.
- Keep instructions for future use.






Pre-assembly:

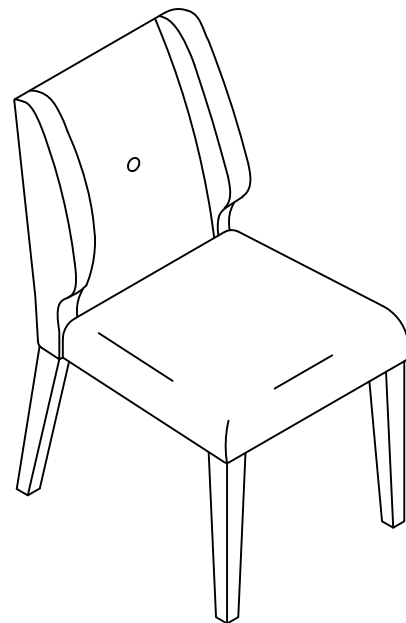
- Do not discard any contents until after assembly is complete to avoid accidentally discarding small parts or hardware.
- Remove all parts and hardware from box along with any plastic protective packaging.

Parts List

| Item | Description | QTY |
|------|--|-----|
| A | Chair Back  | 1 |
| B | Legs  | 2 |
| C | Seat Cushion  | 1 |

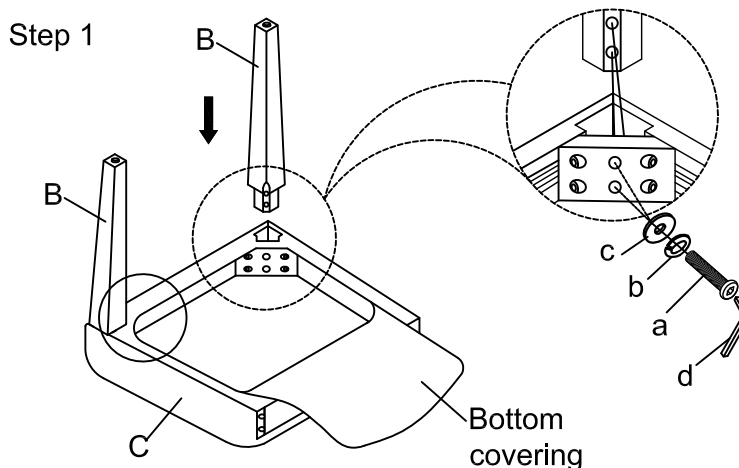
Hardware List

| Item | Description | QTY |
|------|---|-----|
| a | Short Bolt Ø5/16"x2"  | 6 |
| b | Spring Washer Ø5/16"  | 10 |
| c | Flat Washer Ø5/16"  | 10 |
| d | Allen Wrench 5mm  | 1 |
| e | Long Bolt Ø5/16"x3-1/4"  | 4 |

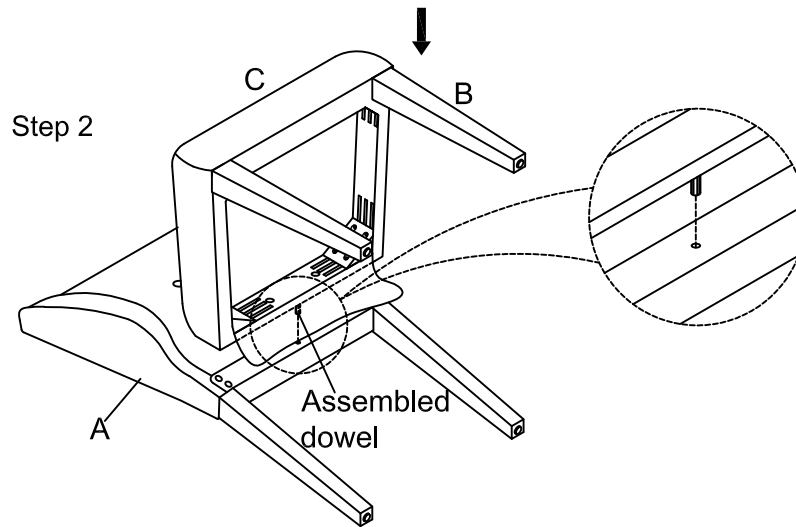


Assembly Procedures:

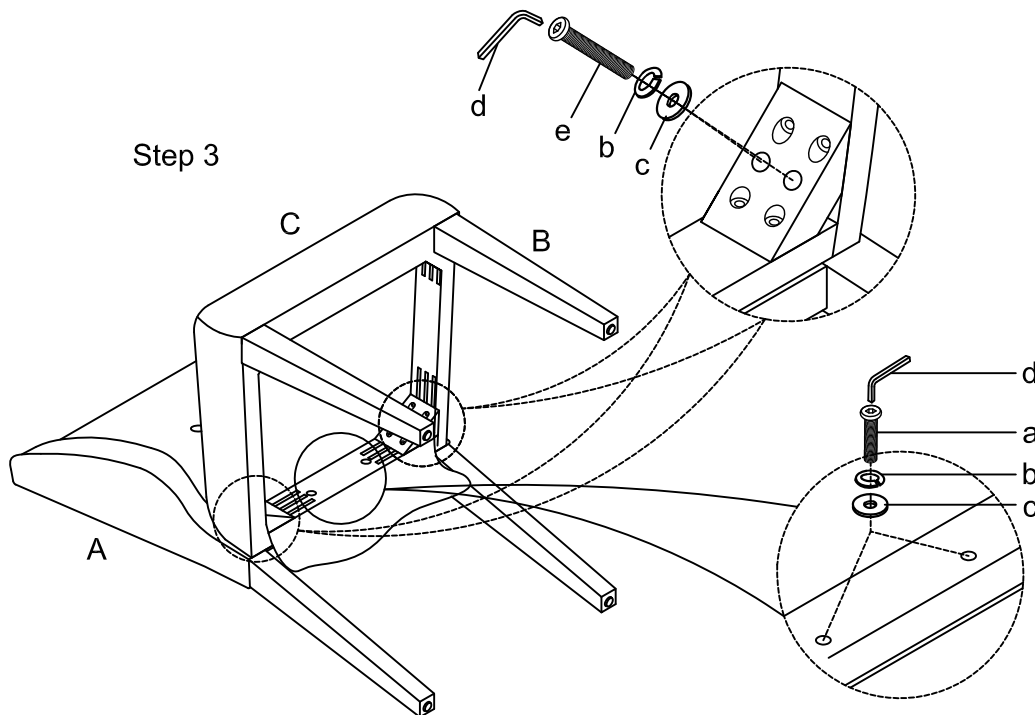
Step 1. Assemble the chair on a flat, soft surface such as a carpet or cloth to prevent scratching the finish. Unzip the bottom covering. Attach the leg (B) to the frame of seat cushion (C) using short bolt (a), spring washer (b) and flat washer (c). Loosely tighten by Allen wrench (d).



Step 2. Place the seat cushion (C) on the chair back (A) aligning the assembled dowel on the back of seat cushion(C) with the hole on the chair back (A).



Step 3. Attach the seat frame (C) to the chair back (A) using short bolt (a), long bolt, spring washer (b) and flat washer (c). Tighten by Allen wrench(d).



Step 4. Securely tighten all bolts, but do not over tighten the bolts. Failure to follow these instructions may cause the bolts to misalign during assembly.

ADDITIONAL NOTE ABOUT SAFETY: BOLTS MAY LOOSEN DURING NORMAL EVERYDAY USE. THEY SHOULD BE PERIODICALLY INSPECTED AND RE-TIGHTENED TO PREVENT DAMAGE OR INJURY. ALWAYS CHECK TO BE SURE THAT ALL HARDWARE IS KEPT TIGHTENED.

Thank you for you purchase