

ASSEMBLY INSTRUCTIONS

Description: Dining Table





Important safety instructions:

- Please carefully read all instructions before assembling the chair.
- For your safety and ease, assembly by two or more adults is recommended.
- Keep instructions for future use.










Pre-assembly:

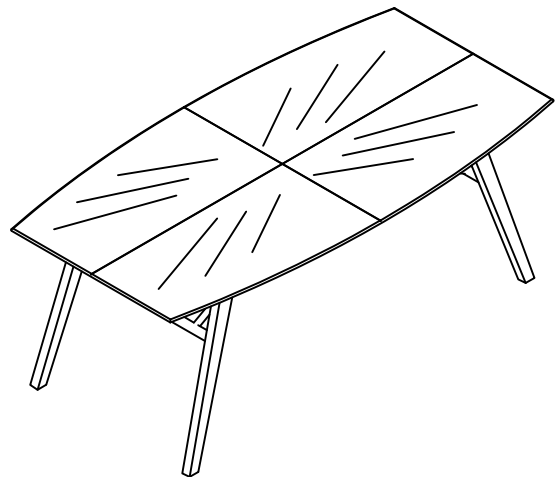
- Do not discard any contents until after assembly is complete to avoid accidentally discarding small parts or hardware.
- Remove all parts and hardware from box along with any plastic protective packaging.

Parts List

Item	Description		QTY
A	Top Panels		2
B	Legs		2
C	Stretchers		4
D	Cleats		2

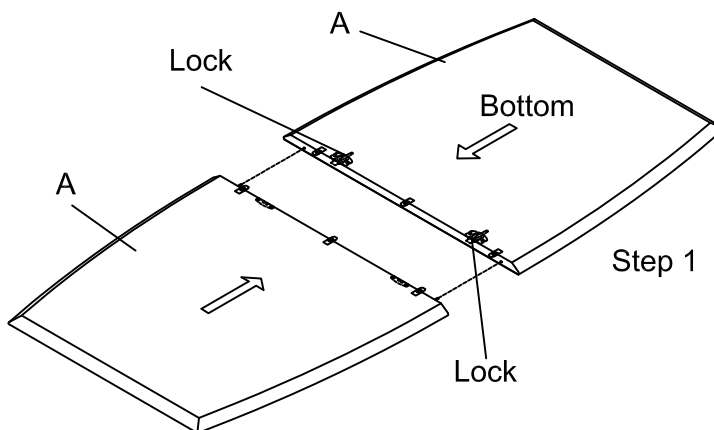
Hardware List

Item	Description		QTY
a	Bolts	Ø5/16"x1-3/8" 	24
b	Bolts	Ø1/4"x1-3/8" 	4
c	5/16" Lock Washers		24
d	5/16" Flat Washers		24
e	1/4" Lock Washers		4
f	1/4" Flat Washers		4
g	1/4" Allen Wrench		1
h	5/16" Allen Wrench		1
i	Rubber Washers		4

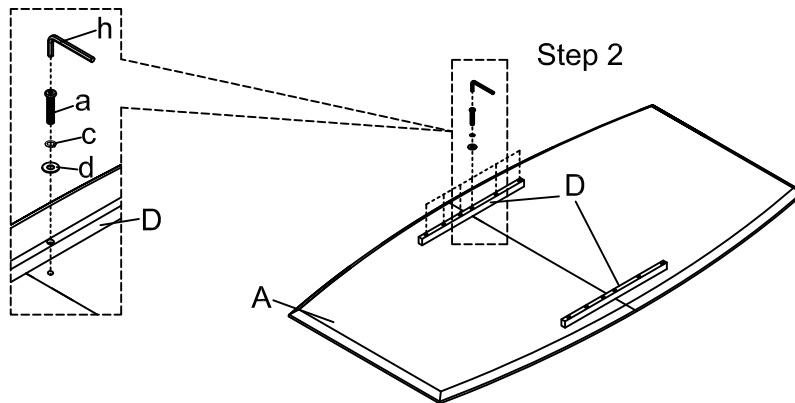


Assembly Procedures:

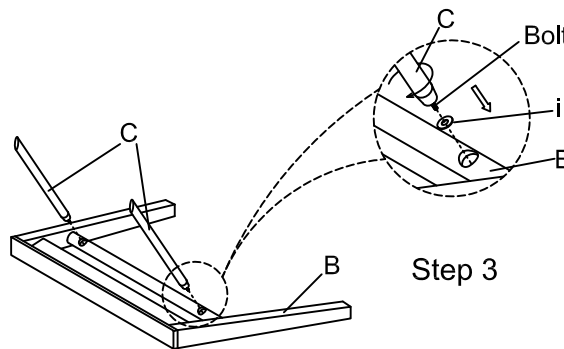
Step 1. Turn over the table tops (A) on a flat, soft surface such as a carpet or cloth to prevent scratching the finish. Turn on the locks on bottom of table tops (A).



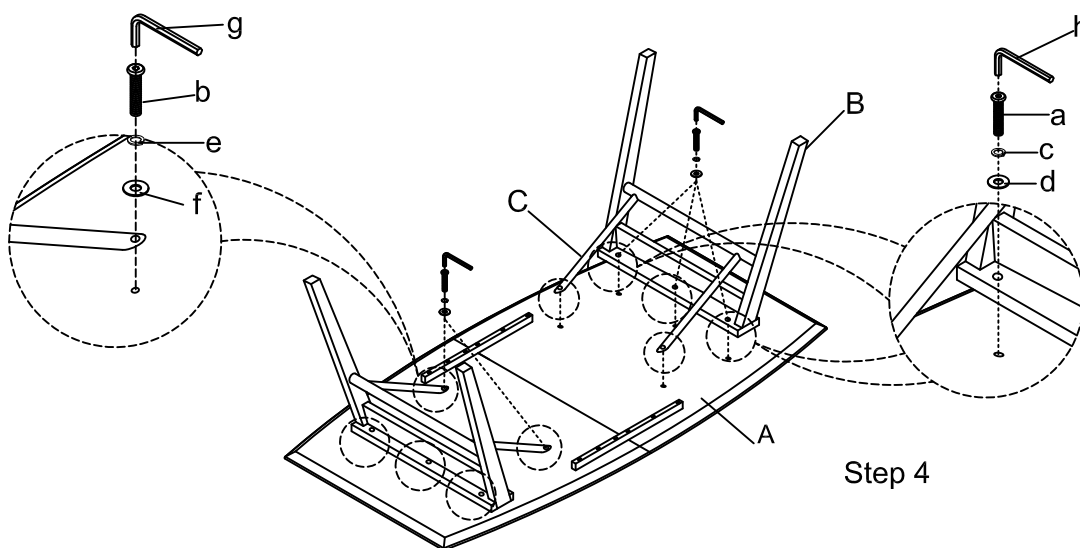
Step 2. Attach cleats (D) to the bottom of table tops (A) using bolt (a), 5/16" lock washer (c) and 5/16" flat washer (d). Loosely tighten by Allen wrench (h).



Step 3. Attach the stretchers (C) to the rail of leg (B) through the rubber washers (i). Do not over tighten.



Step 4. Align the hole on the stretcher (C) with the hole on bottom of table top (A) by turning the stretcher (C) in a counterclockwise or clockwise direction, then attach the stretcher (C) to the assembled table top (A) using bolts (a), 5/16" lock washer (c) and 5/16" flat washer (d). Attach the leg (B) to the assembled table top (A) using bolts (b), 1/4" lock washer (e) and 1/4" flat washer (f). Loosely tighten by Allen wrench (b). Securely tighten all bolts, but do not over tighten the bolts.



Step 5. Assembly are complete. Failure to follow these instructions may cause the bolts to misalign during assembly.

Thank you for you purchase